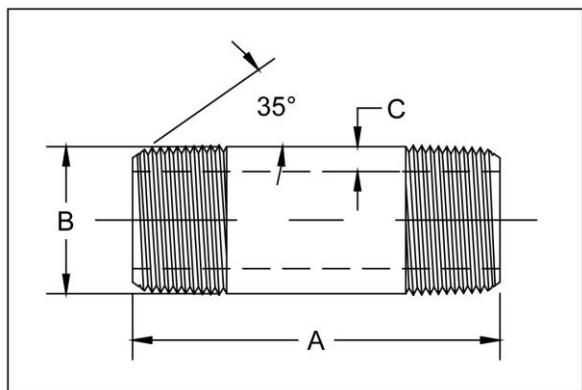


DIN2982 GALVANIZED PIPE NIPPLES

Carbon steel; DIN2440; welded pipe
 Galvanized, Hot-dipped
 DIN2999



Size		Threaded Tube DIN2440		Length	
		O.D.	Wall thickness	Running nipples	Barrel nipples
DN	inch	B, mm	S, mm	L,mm	L, mm
6	1/8	10.2	2.0	16	30mm – 2500mm
8	1/4	13.5	2.35	18	30mm – 2500mm
10	3/8	17.2	2.35	22	30mm – 2500mm
15	1/2	21.3	2.65	25	30mm – 2500mm
20	3/4	26.9	2.65	30	30mm – 2500mm
25	1	33.7	3.25	35	30mm – 2500mm
32	1 1/4	42.4	3.25	38	30mm – 2500mm
40	1 1/2	48.3	3.25	38	30mm – 2500mm
50	2	60.3	3.65	45	30mm – 2500mm
65	2 1/2	76.1	3.65	55	30mm – 2500mm
80	3	88.9	4.05	60	30mm – 2500mm
100	4	114.3	4.5	70	30mm – 2500mm
125	5	139.7	4.85	85	30mm – 2500mm
150	6	165.1	4.85	100	30mm – 2500mm

Noted: Other lengths and size available. Grooved end, SQ end and Bevel end available. Contact us for details.



Hebei Sanvo Pipes & Fittings Co., Ltd.
Shijia village, Cangzhou, Hebei, China 061000

Fax: +86 317 5203381
Tel: +86 317 5203380

info@pipenipples.com
www.pipenipples.com

DIN 2982 STANDARD STEEL PIPE NIPPLES

Material: For Running Nipples, Seamless or welded steel tubes according to DIN2441,
For Barrel Nipples, seamless or welded steel tubes DIN2440,
Thread: Running Nipples, DIN259; Barrel Nipples, DIN 2999.